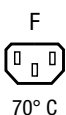


## IEC Appliance Connector C14 with Appliance Plug F, Line Switch 2-pole and Voltage Selector



## Snap-In Version

**Description**

- Panel Mount:  
Snap-In Version from rear-side
- 4 Functions:  
Inlet Protection class I, Outlet Protection class I, Line switch 1- or 2-pole, with or without voltage selector (Jumper)

**Approvals**

- VDE License Number: 6090
- UL License Number: E96454
- CSA License Number: 38456

**Characteristics**

- Low mounting depth behind the panel
- All single elements are already wired except voltage selector
- Line switch non-illuminated
- Voltage selector for two voltage ranges
- Insulation cover on the rear-side
- Especially suitable for use in switching power supplies
- Qualified for use in equipment according IEC/EN 60950

**Other versions on request**

- Panel thickness 1.0 mm and 1.2 mm
- Unwired (without pc-board), with pin-terminals
- Wired (with pc-board), with flexible wires
- Line switch with other rocker marking
- Without cover
- Voltage selector with other marking

**Weblinks**

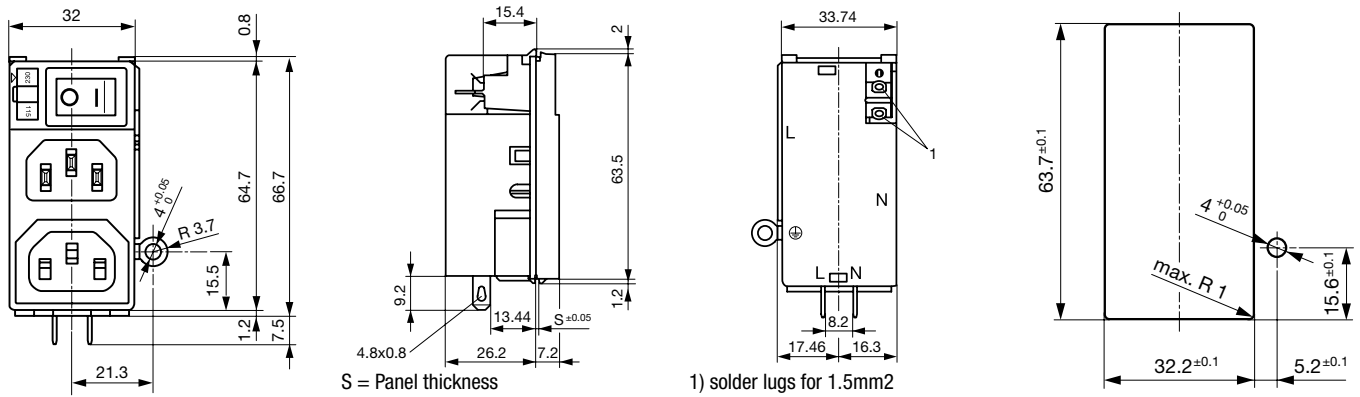
[Approvals](#), [RoHS](#), [CHINA-RoHS](#), [e-Store](#), [SCHURTER-Stock-Check](#), [Distributor-Stock-Check](#)

**Technical Data**

Ratings IEC	10A / 250VAC; 50Hz
Ratings UL/CSA	10A / 250VAC; 60Hz
Dielectric Strength	> 2.5kVAC between L-N > 3kVAC between L/N-PE (1 min/50Hz)
Allowable Operation Temp.	-25 °C to 70 °C
Degree of Protection	from front side IP 40 acc. to IEC 60529
Protection Class	Suitable for appliances with protection class I acc. to IEC 61140
Terminal	Quick connect terminals 4.8 x 0.8 mm Solder terminal on request Solder terminals on voltage selector
Panel Thickness s	Snap-in: 0.8/1.5 mm (other on request)
Material: Housing	Thermoplastic, black, UL 94V-2

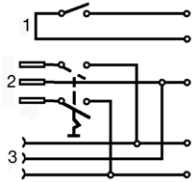
Appliance-Inlet/-Outlet	C14 acc. to IEC/EN 60320-1 and F acc. to IEC/EN 60320-2-2, UL 498, CSA C22.2 no. 42 (for cold conditions) pin-temperature 70 °C, 10A, Protection class I
Line Switch	Rocker switch 1 or 2 pole, non-illuminated, acc. to IEC 61058-1 <a href="#">Technical details</a>
Voltage selector	optional jumper, 2 digits

## Dimensions



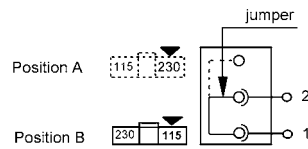
## Diagrams

Version: line switch 2-pole



- 1) voltage selector
- 2) appliance-inlet
- 3) appliance-outlet

Voltage selector



## Variants

Basic version:

- Marking of the voltage selector 115/230
- with cover on the rear-side

Panel Thickness s [mm]	Line Switch	Voltage selector	Order Number
0.8	1 pole		4307.3001
1.5	1 pole		4307.3004
0.8	1 pole	●	4307.3211
1.5	1 pole	●	4307.3214
0.8	2-pole		4307.4001
1.5	2-pole		4307.4004
0.8	2-pole	●	4307.4211
1.5	2-pole	●	4307.4214

[Distributor-Stock-Check](#) | [SCHURTER-Stock-Check](#) | [e-Store](#)

**Packaging unit** 250 Pcs